

STAINLESS STEEL NEEDLE VALVES NV400

DESCRIPTION

The NV400 series are high pressure needle stop valve, designed for steam and other industrial fluids isolation.

The NV400B, in particular, were specially designed to be used with the VPC blowdown control valves and an alignment coupling incorporated in the design allows an easy fitting to the valve.

MAIN FEATURES

- Rising stem.
- Complete stainless steel construction.
- High quality graphite packing.

OPTIONS AND

ACCESSORIES: Other sizes, materials and connections available on request.

USE: Saturated steam, water, compressed air and other fluids compatible with the construction.

AVAILABLE

MODELS: NV400H; NV400B.

SIZES: 1/4", 3/8" and 1/2".

CONNECTIONS: NV400H – Female threaded ISO 7 Rp.
 NV400B – Inlet: Female threaded ISO 7 Rp.
 Outlet: Comp. fitting 8S (M16x1,5).

INSTALLATION: In any position with the flow in the same direction as the arrow on the valve body.

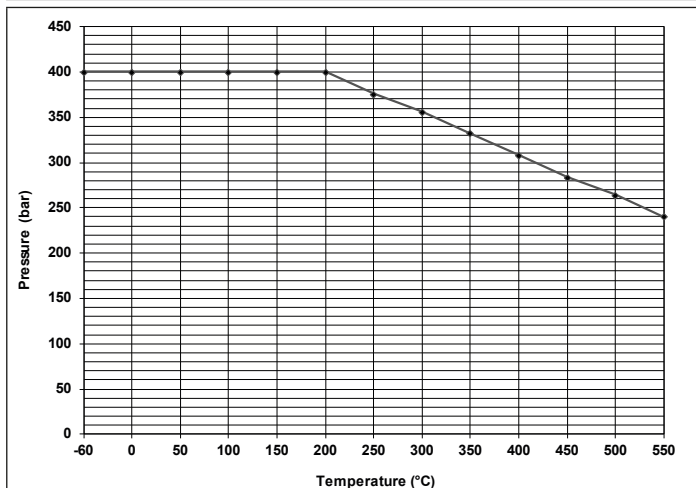


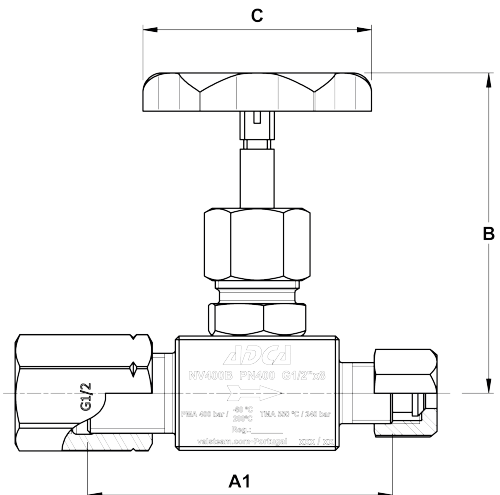
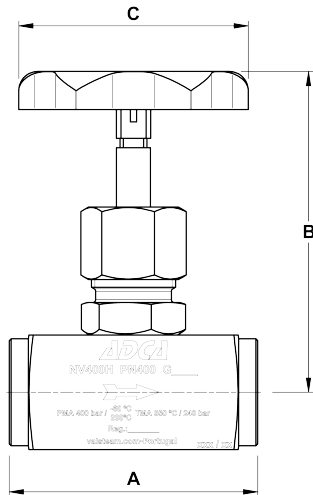
NV400H



NV400B

BODY LIMITING CONDITIONS





DIMENSIONS (mm) – NV400H

SIZE	A	B	C	ORIFICE	Kvs (m³/h)	WEIGHT (kg)
1/4"	55	82	60	6	0,56	0,48
3/8"	60	82	60	6	0,56	0,49
1/2"	65	82	60	6	0,56	0,49

DIMENSIONS (mm) – NV400B

SIZE	A1	B	C	ORIFICE	Kvs (m³/h)	WEIGHT (kg)
1/2"	80	82	60	6	0,56	0,63

MATERIALS

POS.	DESIGNATION	MATERIAL
1	Body	AISI 316 Ti / 1.4571
2	Bonnet	AISI 316 Ti / 1.4571
3	Stem	AISI 316 Ti / 1.4571
4	Disc nut	AISI 316 Ti / 1.4571
5	Packing gland	AISI 316 Ti / 1.4571
6	Packing	Graphite
7	Handwheel	Metallic
8	Compression fitting	AISI 316 Ti
9	Alignment union	AISI 316 Ti

